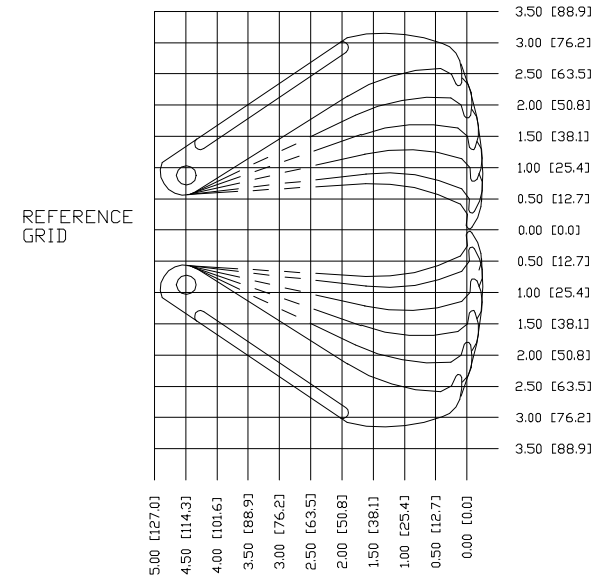
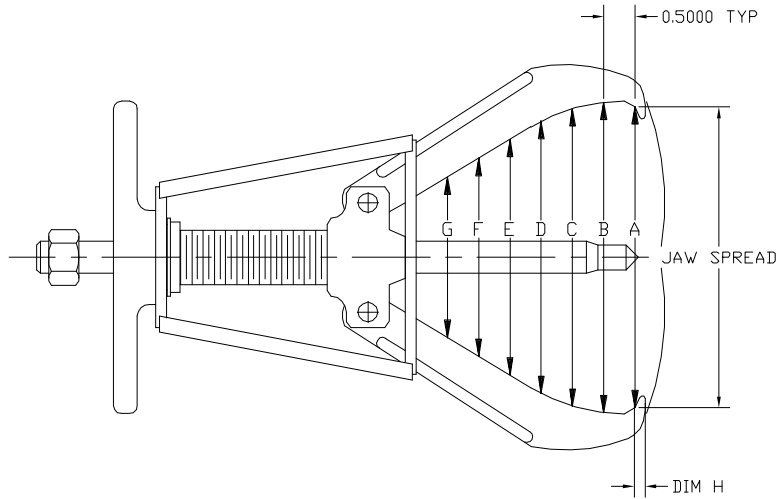


# 104 / 204 Manual Puller



JAW SPREAD	DIM A	DIM B	DIM C	DIM D	DIM E	DIM F	DIM G	DIM H
0.50 [12.7]	0.97 [24.6]	1.32 [33.5]	<b>1.47</b> <b>[37.3]</b>	1.46 [37.1]	1.40 [35.6]	<b>1.34</b> <b>[34.0]</b>	1.29 [32.8]	0.077 [1.96]
1.00 [25.4]	1.46 [37.1]	1.74 [44.2]	<b>1.83</b> <b>[46.5]</b>	1.77 [45.0]	1.65 [41.9]	<b>1.54</b> <b>[39.1]</b>	1.42 [36.1]	0.088 [2.24]
2.00 [50.8]	2.38 [60.5]	2.56 [65.0]	<b>2.55</b> <b>[64.8]</b>	2.38 [60.5]	2.15 [54.6]	<b>1.92</b> <b>[48.8]</b>	1.69 [42.9]	0.109 [2.77]
3.00 [79.2]	3.30 [83.8]	3.38 [85.9]	<b>3.29</b> <b>[83.6]</b>	3.01 [76.5]	2.66 [67.6]	<b>2.32</b> <b>[58.9]</b>	1.97 [50.0]	0.129 [3.28]
4.00 [101.6]	4.22 [107.2]	4.23 [107.4]	<b>4.06</b> <b>[103.1]</b>	3.70 [94.0]	2.66 [67.6]	<b>2.32</b> <b>[58.9]</b>	1.97 [50.0]	0.129 [3.3]
5.00 [127.0]	5.00 [127.0]	5.13 [130.3]	<b>4.90</b> <b>[124.5]</b>	4.47 [113.5]	3.85 [97.8]	<b>3.22</b> <b>[81.8]</b>	2.59 [65.8]	0.165 [4.2]

## POSI LOCK MODELS 104\204 GEAR AND BEARING PULLER

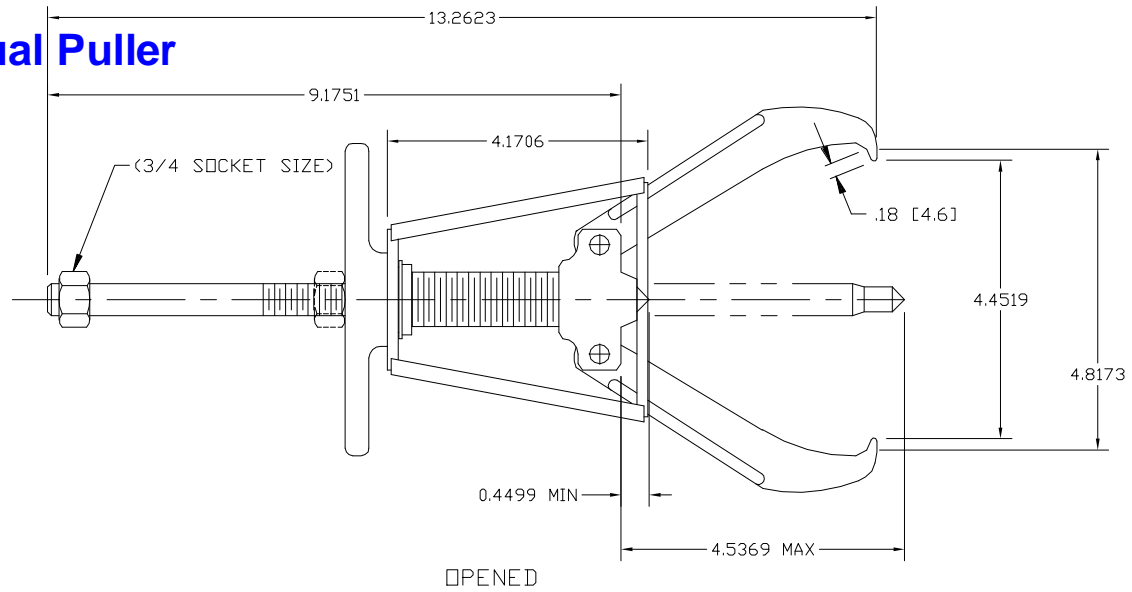
### MODEL 104

5 TON [4.5 METRIC TONS]  
3 JAW  
REACH 4.0 [101.6]  
SPREAD .50 [12.7] TO 5.0 [127.0]  
WT. 4 Lbs.[1.8 kg]  
MAXIMUM TORQUE  
40 FOOT POUNDS [54 N·m]

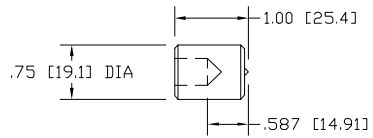
### MODEL 204

2 TON [1.8 METRIC TONS]  
2 JAW  
REACH 4.0 [101.6]  
SPREAD .50 [12.7] TO 5.0 [127.0]  
WT. 3 Lbs.[1.4 kg]  
MAXIMUM TORQUE  
20 FOOT POUNDS [27 N·m]

# 104 / 204 Manual Puller



SHAFT PROTECTOR



OPTIONAL SHAFT EXTENSION  
INCREASES CENTER BOLT  
LENGTH BY 1.5"

