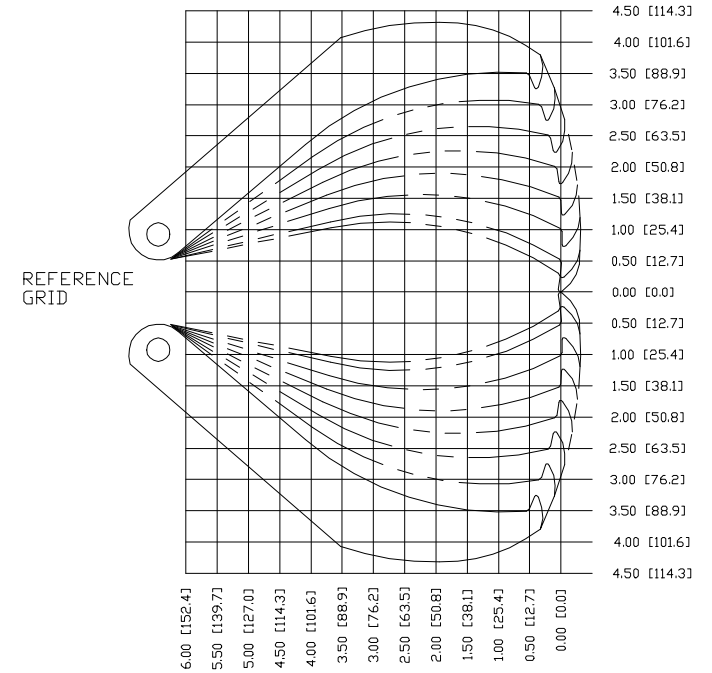
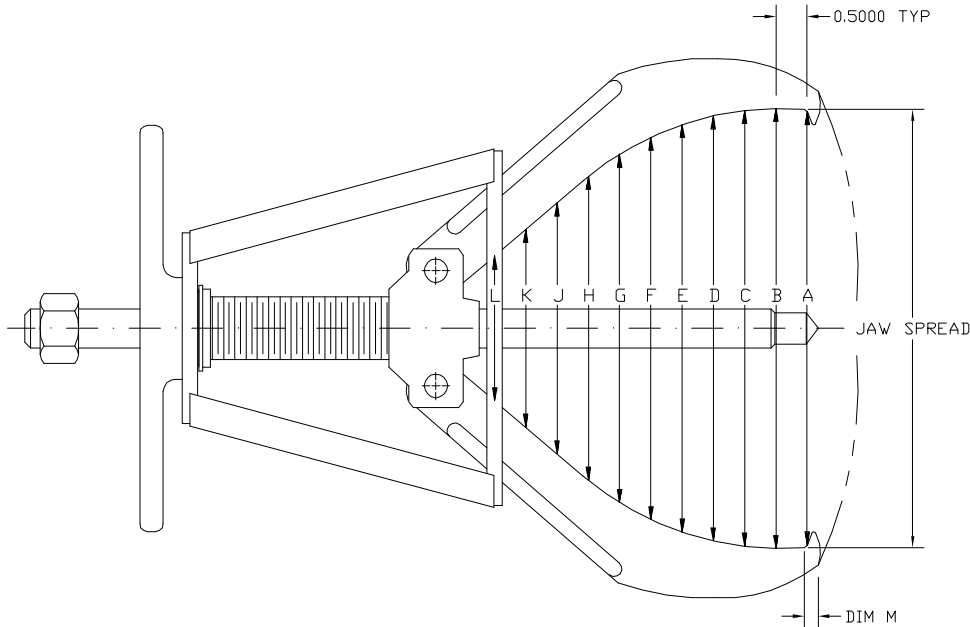


106 / 206 Manual Puller

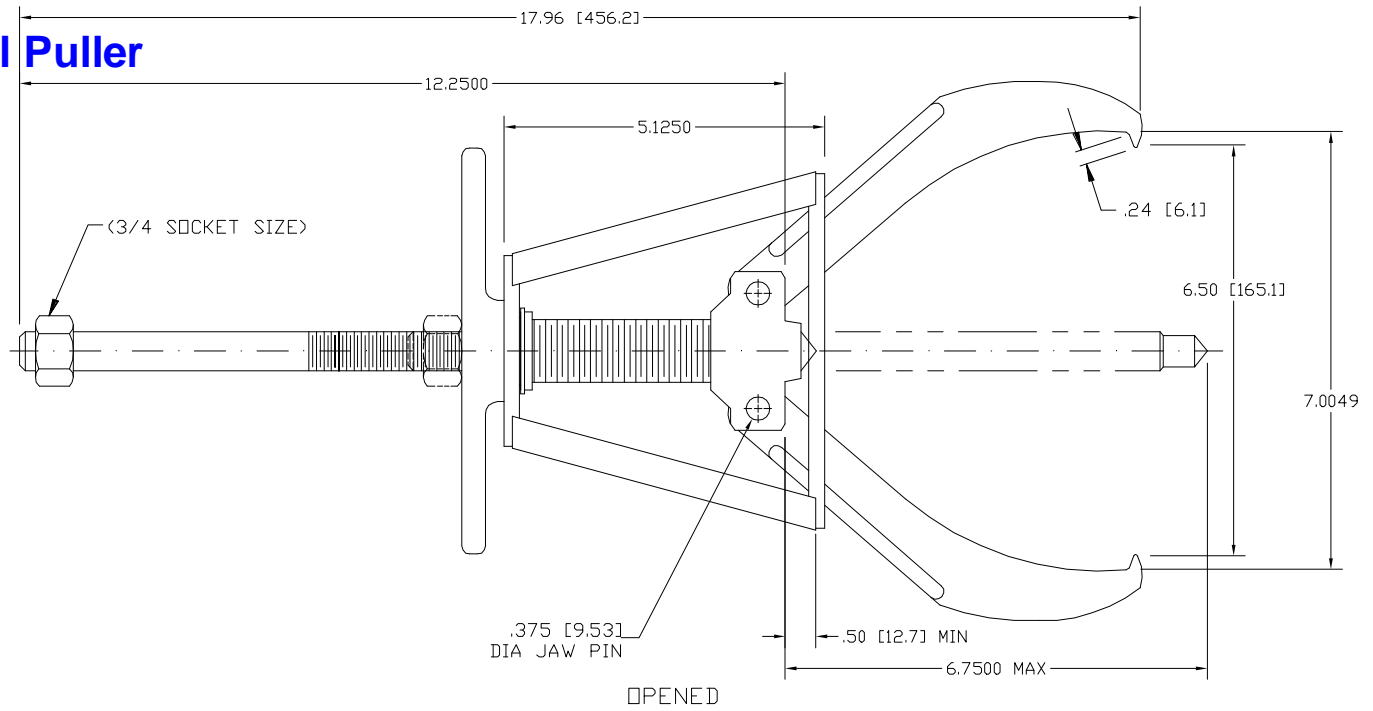


JAWSPREAD	DIM A	DIM B	DIM C	DIM D	DIM E	DIM F	DIM G	DIM H	DIM J	DIM K	DIM L	DIM M
0.50 [12.7]	1.16 [29.5]	1.60 [40.6]	1.93 [49.0]	2.13 [54.1]	2.23 [56.6]	2.23 [56.6]	2.12 [53.8]	1.93 [49.0]	1.74 [44.2]	1.54 [39.1]	1.34 [34.0]	0.323 [8.20]
1.00 [25.4]	1.57 [39.9]	1.98 [50.3]	2.27 [57.7]	2.44 [62.0]	2.51 [63.8]	2.47 [62.7]	2.33 [59.2]	2.10 [53.3]	1.87 [47.5]	1.64 [41.7]	1.40 [35.6]	0.313 [7.95]
2.00 [50.8]	2.49 [63.2]	2.81 [71.4]	3.02 [76.7]	3.12 [79.2]	3.12 [79.2]	3.01 [76.5]	2.80 [71.1]	2.49 [63.2]	2.17 [55.1]	1.86 [47.2]	1.54 [39.1]	0.289 [7.34]
3.00 [76.2]	3.38 [85.9]	3.63 [92.2]	3.77 [95.8]	3.80 [96.5]	3.74 [95.0]	3.56 [90.4]	3.28 [83.3]	2.89 [73.4]	2.49 [63.2]	2.08 [52.8]	1.68 [42.7]	0.263 [6.68]
4.00 [101.6]	4.26 [108.2]	4.45 [113.0]	4.53 [115.1]	4.50 [114.3]	4.38 [111.3]	4.14 [105.2]	3.79 [96.3]	3.31 [84.1]	2.82 [71.6]	2.32 [58.9]	1.82 [46.2]	0.235 [5.97]
5.00 [127.0]	5.15 [130.8]	5.28 [134.1]	5.31 [134.9]	5.23 [132.8]	5.05 [128.3]	4.75 [120.7]	4.33 [110.0]	3.77 [95.8]	3.17 [80.5]	2.57 [65.3]	1.97 [50.0]	0.206 [5.23]
6.00 [152.4]	6.06 [153.9]	6.14 [156.0]	6.12 [155.4]	5.99 [152.1]	5.76 [146.3]	5.41 [137.4]	4.92 [125.0]	4.28 [108.7]	3.57 [90.7]	2.85 [72.4]	2.13 [54.1]	0.174 [4.42]
7.00 [177.8]	7.00 [177.8]	7.04 [178.8]	6.97 [177.0]	6.81 [173.0]	6.52 [165.6]	6.12 [155.4]	5.58 [141.7]	4.86 [123.4]	4.01 [101.9]	3.16 [80.3]	2.31 [58.7]	0.141 [3.58]

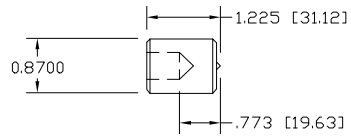
POST LOCK MODELS 106\206 GEAR AND BEARING PULLER

MODEL 106	MODEL 206
10 TON [9.1 METRIC TONS]	6 TON [5.4 METRIC TONS]
3 JAW	2 JAW
REACH 6.0 [152.4]	REACH 6.0 [152.4]
SPREAD .50 [12.7] TO 7.0 [177.8]	SPREAD .50 [12.7] TO 7.0 [177.8]
WT. 8 Lbs.[3.6 kg]	WT. 7 Lbs.[3.2 kg]
MAXIMUM TORQUE	MAXIMUM TORQUE
130 FOOT POUNDS [176 N m]	75 FOOT POUNDS [102 N m]

106 / 206 Manual Puller



SHAFT PROTECTOR



OPTIONAL SHAFT EXTENSION
INCREASES CENTER BOLT
LENGTH BY 1.5"

